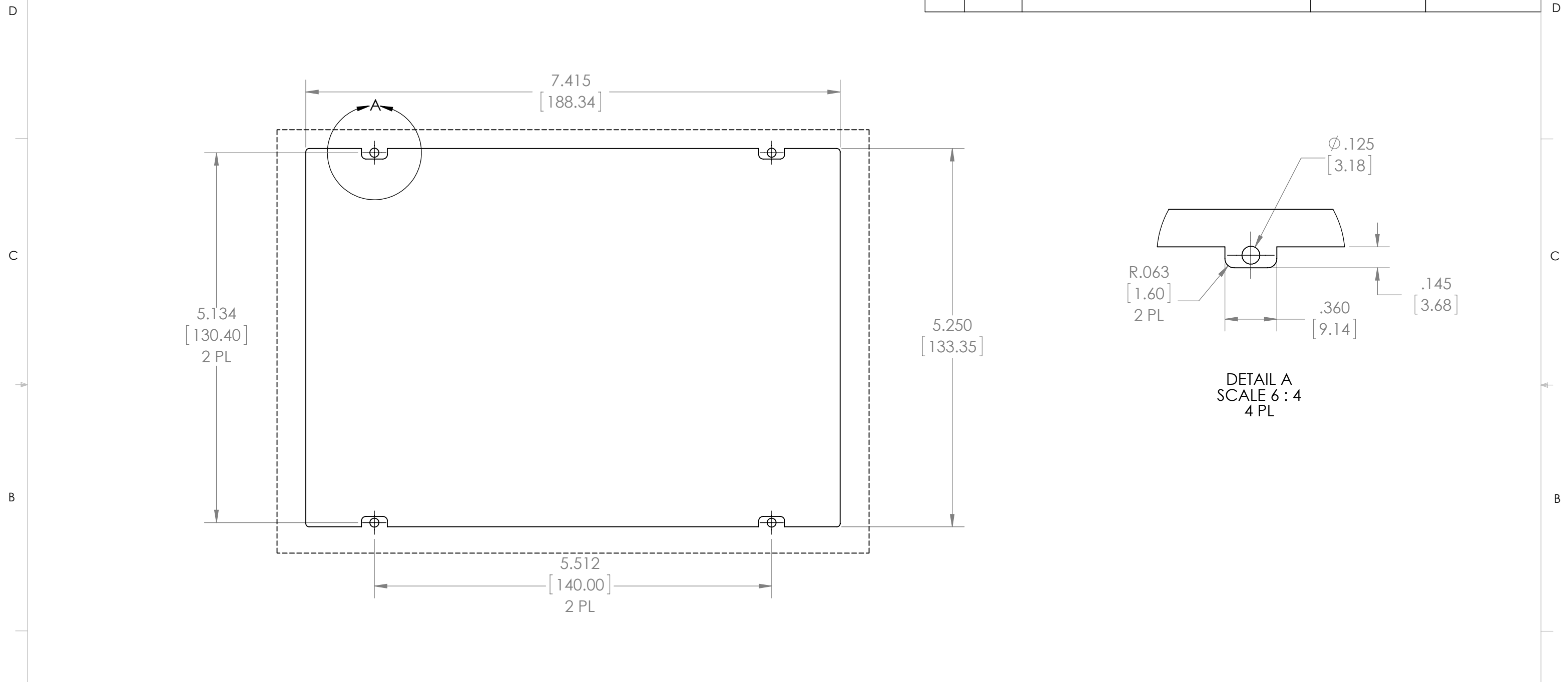


8 7 6 5 4 3 2 1

REVISIONS				
ZONE	REV.	DESCRIPTION	DATE	APPROVED
	A0.0	Original Release	10/6/2017	JRK



GENERAL NOTES:

- All dimension in inches [millimeters]

PROPRIETARY AND CONFIDENTIAL
 THE INFORMATION CONTAINED IN THIS DRAWING IS THE SOLE PROPERTY OF **Technologic Systems**. ANY REPRODUCTION IN PART OR AS A WHOLE WITHOUT THE WRITTEN PERMISSION OF **Technologic Systems** IS PROHIBITED.

APPLICATION	DO NOT SCALE DRAWING
NEXT ASSY	USED ON
FINISH	
MATERIAL	
INTERPRET GEOMETRIC TOLERANCING PER:	
x.xxx ± .005 x.xx ± .010 x.x ± .020	
ANGULAR: MACH ± .25° BEND ± 1°	
FRACTIONAL ± 1/64	
TOLERANCES:	
DIMENSIONS ARE IN INCHES	
UNLESS OTHERWISE SPECIFIED:	

NAME	DATE
JRK	10/6/17
DRAWN	
CHECKED	
ENG APPR.	
MFG APPR.	
Q.A.	
COMMENTS:	



TITLE: **TS-7990 Mounting Cutout Pattern**

SIZE	DWG. NO.	A0.0
B	02-0008-9	
SCALE: NONE	SHEET 1 OF 1	

8 7 6 5 4 3 2 1